

20/21
PRODUCTS

Product Catalogue

Disc valve Diffuser

Type (DVD)



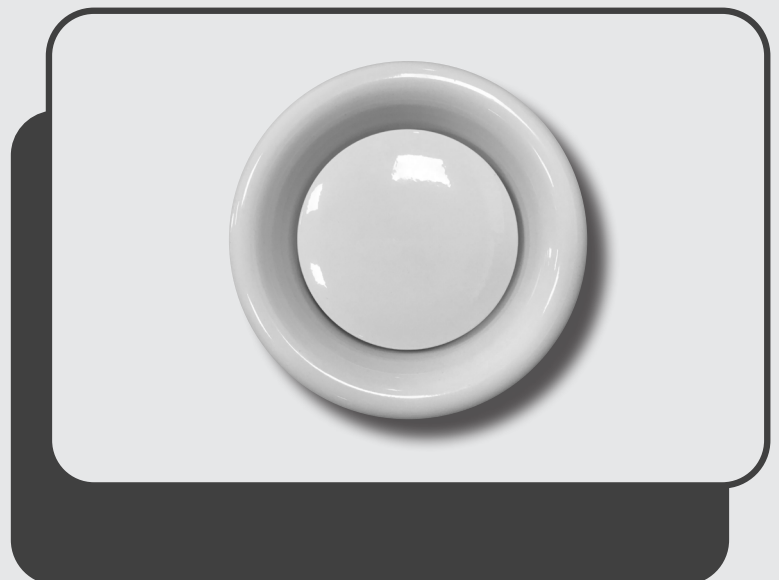
Khedr Trust
ALL AIR PRODUCTS

Disc valve Diffuser products are
manufactured by



“Your comfort is
our priority”

www.khedr-eg.com





Models

- DVD

Finish

- Standard Finish - White

Disc valve Diffuser

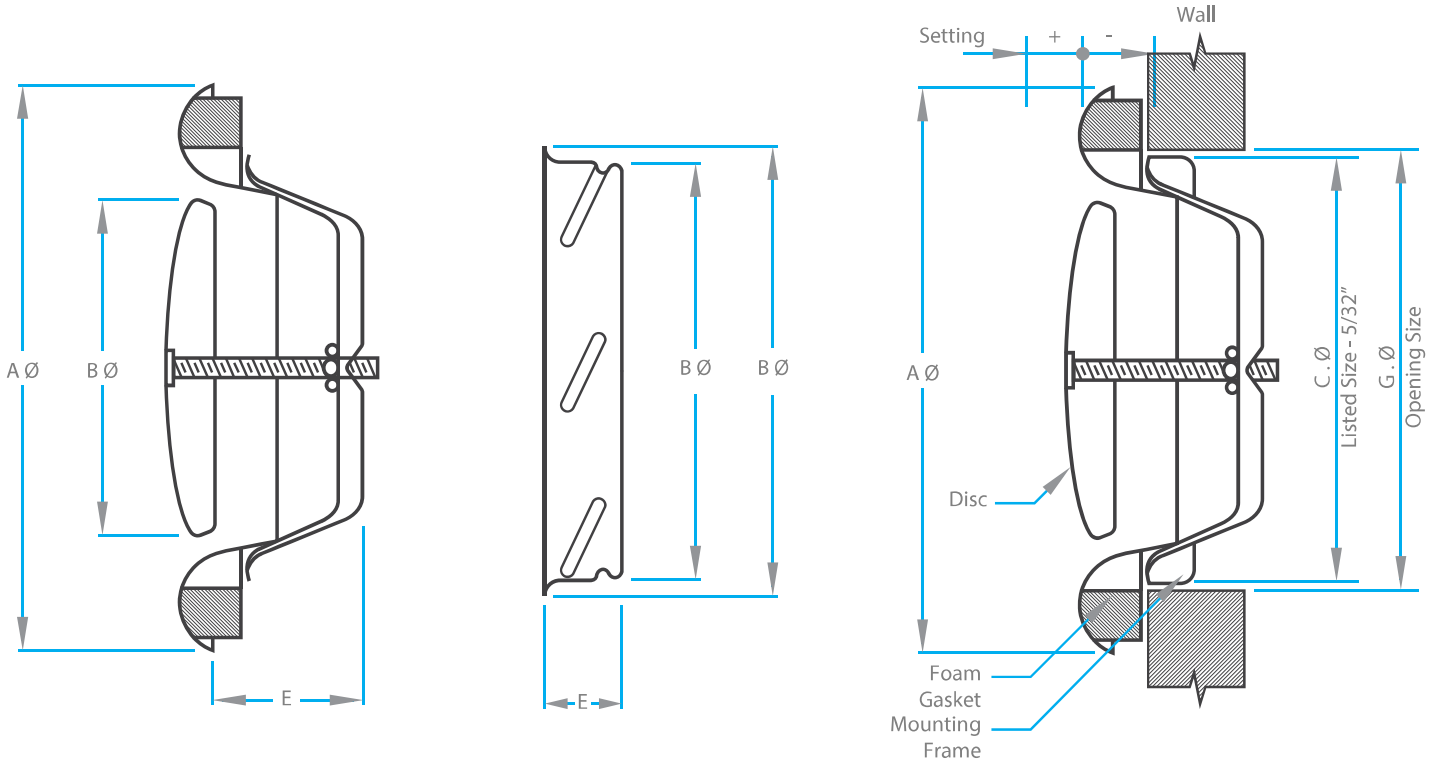
Model Design

Khedr Disc valve diffuser (DVD) are designed for ceiling-mounting applications.

Model Use

They are suitable for Exhaust applications especially for greasy damp air in areas such as toilets, washrooms and kitchens.

- Dimensions



Ø Nominal Size	Ø A	Ø B	Ø C	Ø D	Ø E	Ø F	G (Opening Size)
4"	5.39	2.95	3.86	5.12	1.58	1.10	4.125
6"	7.99	4.73	5.83	7.01	1.97	1.10	6.125
8"	9.84	6.30	7.80	9.13	2.56	1.10	8.125

Disc valve Diffuser products are manufactured by Khedr Trust Co.

- Performance data
Nominal Size \varnothing 4"

Setting	Air Flow (CFM)	15	20	25	30	35	40	45	50	60	70	80	90	100
-3/8"	SP	0.30	0.60	0.98										
	NC	<20	20	25										
-1/4"	SP		0.24	0.38	0.58	0.80	1.10							
	NC		<20	<20	23	25	26							
-1/8"	SP			0.22	0.32	0.47	0.60	0.80	0.95					
	NC			<20	<20	22	24	26	28					
0	SP				0.23	0.32	0.46	0.60	0.78	0.98	1.20			
	NC				<20	20	22	24	26	32	34			
1/8"	SP					0.22	0.28	0.40	0.52	0.64	0.84	1.15		
	NC					<20	<20	22	24	26	32	38		
1/4"	SP						0.20	0.28	0.34	0.45	0.58	0.80	1.05	
	NC						<20	<20	22	25	28	33	42	
3/8"	SP							0.20	0.28	0.34	0.47	0.60	0.82	1.05
	NC							<20	<20	23	25	29	38	45
1/2"	SP								0.18	0.27	0.33	0.40	0.60	0.80
	NC								<20	<20	25	26	32	38

Disc valve Diffuser products are manufactured by Khedr Trust Co.

P_s Static Pressure "Inch Water"
 NC re 8db room

Nominal Size \varnothing 6"

Setting	Air Flow (CFM)	30	35	40	50	60	70	80	90	100	120	140	160	180
-1/4"	SP	0.33	0.48	0.63	1.4									
	NC	<20	21	24	32									
-1/8"	SP		0.18	0.25	0.40	0.60	0.78	1.07						
	NC		<20	<20	21	25	31	34						
0	SP				0.24	0.33	0.42	0.59	0.78	1.00				
	NC				<20	20	23	26	34	40				
1/4"	SP							0.22	0.29	0.36	0.60	0.80	1.08	
	NC							<20	20	22	31	35	42	
1/2"	SP								0.21	0.26	0.40	0.56	0.76	0.98
	NC								<20	<20	24	28	35	45

Disc valve Diffuser products are manufactured by Khedr Trust Co.

Nominal Size \varnothing 8"

Setting	Air Flow (CFM)	40	50	60	70	80	100	120	140	160	180	200	220	240
-25/32"	SP	0.39	0.61	0.92										
	NC	22	31	35										
-19/32"	SP		0.21	0.31	0.42	0.55								
	NC		<20	20	23	26								
-25/64"	SP			0.16	0.23	0.30	0.48	0.72						
	NC			<20	<20	22	28	33						
-3-16"	SP						0.28	0.40	0.45	0.71	0.92			
	NC						22	26	30	34	38			
0	SP						0.17	0.27	0.30	0.46	0.61	0.74		
	NC						<20	23	26	31	36	38		
3/16"	SP							0.17	0.21	0.31	0.40	0.50	0.60	0.73
	NC							<20	23	26	30	32	36	38
25/64"	SP									0.25	0.31	0.38	0.48	0.58
	NC									23	26	28	32	35
19/32"	SP									0.19	0.25	0.28	0.33	0.42
	NC									<20	23	25	27	33
25/32"	SP										0.19	0.22	0.27	0.31
	NC										23	24	25	28
63/64"	SP											0.17	0.21	0.26
	NC											<20	24	25

Disc valve Diffuser products are manufactured by Khedr Trust Co.

- Selection Procedure

1. Determine the required CFM per each outlet as per cooling Load Calculation.
2. Determine the NC required.
3. Select the suitable size that give the required CFM & NC from performance data tables.

- Selection Procedure Example

1. Required 50 CFM as per cooling load calculations.
2. Required NC = 25
3. The size of shall be :
 - A. Size \emptyset 4, NC = 24 & Setting = 1/8".
 - B. Size \emptyset 4, NC = 22 & Setting = 1/4".
 - C. Size \emptyset 6, NC = 21 & Setting = -1/8".
 - D. Size \emptyset 8, NC = <20 & Setting = -19/32".

Nominal Size \emptyset 4"

Setting	Air Flow (CFM)	15	20	25	30	35	40	45	50
1/8"	SP					0.22	0.28	0.40	0.52
	NC					<20	<20	22	24
1/4"	SP						0.20	0.28	0.34
	NC						<20	<20	22

Disc valve Diffuser products are manufactured by Khedr Trust Co.

Nominal Size \emptyset 6"

Setting	Air Flow (CFM)	30	35	40	50
-1/4"	SP	0.33	0.48	0.63	1.4
	NC	<20	21	24	32
-1/8"	SP		0.18	0.25	0.40
	NC		<20	<20	21

Disc valve Diffuser products are manufactured by Khedr Trust Co.

Nominal Size \emptyset 8"

Setting	Air Flow (CFM)	40	50
-25/32"	SP	0.39	0.61
	NC	22	31
-19/32"	SP		0.21
	NC		<20

Disc valve Diffuser products are manufactured by Khedr Trust Co.

- How to order

Type	DVD	Disc Valve Diffuser
Setting	1/2"	-/+ " Inch"
Size	Ø 6"	Ø Inch"
Finish	1	0 Aluminum 1 White Color 2 Other Colors
Damper	0	0 Without Damper 1 With Damper

Disc valve Diffuser products are manufactured by Khedr Trust Co.

Room Types		Noise Criteria (NC)
Residences, apartments	Living areas	30
	Bathrooms, kitchens, utility rooms	35
Hotels/motels	Individual rooms or suites	30
	Meeting/banquet rooms	30
	Corridors and lobbies	40
	Service/support areas	40
Office buildings	Executive and private offices	30
	Conference rooms	30
	Teleconference rooms	25
	Open-plan offices	40
	Corridors and lobbies	40
Courtrooms	Unamplified speech	30
	Amplified speech	35
Performing arts spaces	Drama theaters, concert and recital halls	20
	Music teaching studios	25
	Music practice rooms	30
Hospitals and clinics	Patient rooms	30
	Wards	35
	Operating and procedure rooms	35
	Corridors and lobbies	40
Laboratories	Testing/research with minimal speech Communication	50
	Extensive phone use and speech communication	45
	Group teaching	35
Churches, mosques, synagogues	General assembly with critical music programs	25
Schools	Classrooms	30
	Large lecture rooms with speech amplification	30
	Large lecture rooms without speech amplification	25
Libraries		30
Indoor stadiums, gymnasiums	Gymnasiums and natatoriums	45
	Large-seating-capacity spaces with speech amplification	50

* ASHRAE Applications – Ch. 49 Noise and Vibration Control

Other Products are provided by Khedr Trust Co.

Diffusers & Grilles

- Squar Ceiling Diffuser
- Circular Ceiling Diffuser
- Slot Linear Diffuser
- Linear Bar Grille
- Aluminum Grille
- Swirl Diffuser
- Perforated Ceiling Diffuser
- Disc Valve Diffuser
- Jet Diffuser
- Eye Ball Diffuser
- Door Grille
- Raised Floor Grid

Louvers

- Aluminum Louver
- Sand Trap Louver

Dampers

- Blade Volume Damper
- Toothed Wheel Volume Damper
- Gravity Shutter Damper

Acoustics

- Sound Attenuator
- Acoustic Louver

Smoke Management

- Fire Damper
- Smoke Motorized Damper
- Smoke Vent

Duct Works

- Galvanized Steel Duct
- Black Steel Duct
- Stainless Steel Duct
- Spiral Duct
- Flexible Duct
- Canavas
- Flanges
- Flexible Duct Connector



Khedr Trust

ALL AIR PRODUCTS



Alqanater Alkhairia roads.Industrial Area, Behind Cocacola Co., Cairo, Egypt

Mailing Address : P.O.Box 13621, Cairo 11511 - Egypt

Tel : +202 42452022

Mob : +2010 29999054 / +2010 29999056

+2010 29999057 / +2010 29999058

E-Mail : info@khedr-eg.com

